

1 2 3 4 5 6 7 8

A

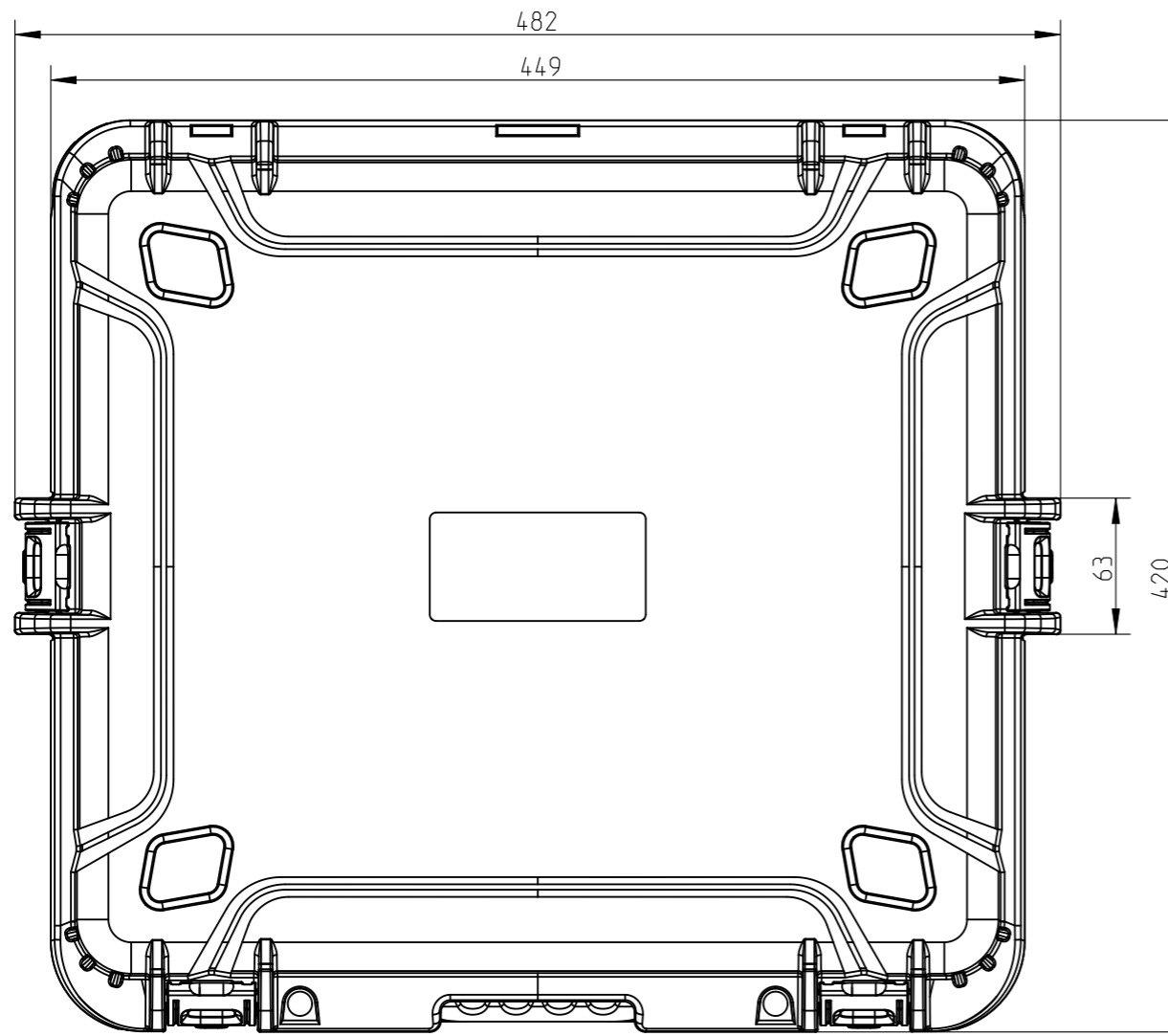
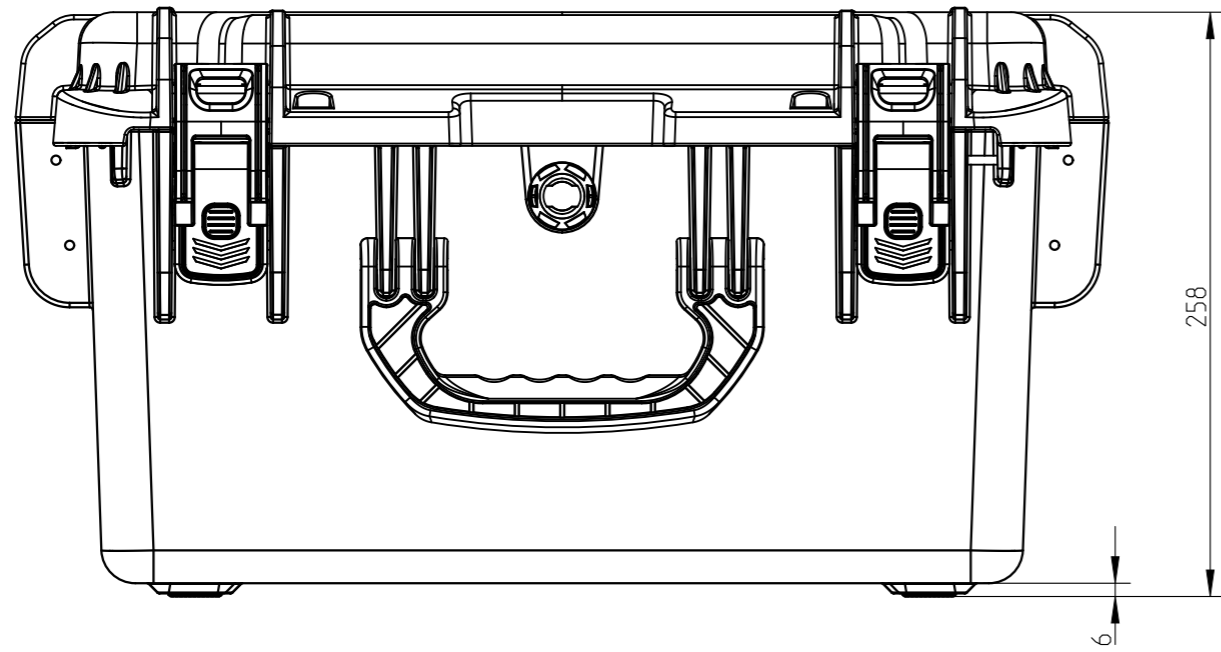
B


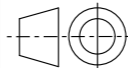
C

D

E

F



-	-	-	-
-	-	-	-
-	-	-	-
NEW ISSUE	OLD ISSUE	COMMENTS / CHANGE DESCRIPTION	DATE
UNLESS OTHERWISE SPECIFIED:		DRW: -	ISSUE:
Dimensional tolerances +6 = ± 0.05 6-30 = ± 0.1 30-120 = ± 0.15 +120 = ± 0.2 ANGLES = ± 0.5°		STATUS: SEE DDM/WATERMARK	
PROPRIETARY NOTICE:		DATE: -	 German Light Products GmbH Industriestr. 2 76307 Karlsbad - Germany +49 (0)7248/92719-0 www.glp.de
All information herein is the sole and exclusive property of GLP, and may not be used, disclosed or reproduced in any manner without the advance written consent of GLP.		SIZE A3	
		THIRD ANGLE PROJ.	DESCRIPTION:
			MATERIAL:
			ALL dimensions are in millimeters unless noted otherwise DO NOT SCALE

German Light Products GmbH
 Industriestr. 2
 76307 Karlsbad - Germany
 +49 (0)7248/92719-0
 www.glp.de